

BRIZO®

ROMAN TUB TRIM

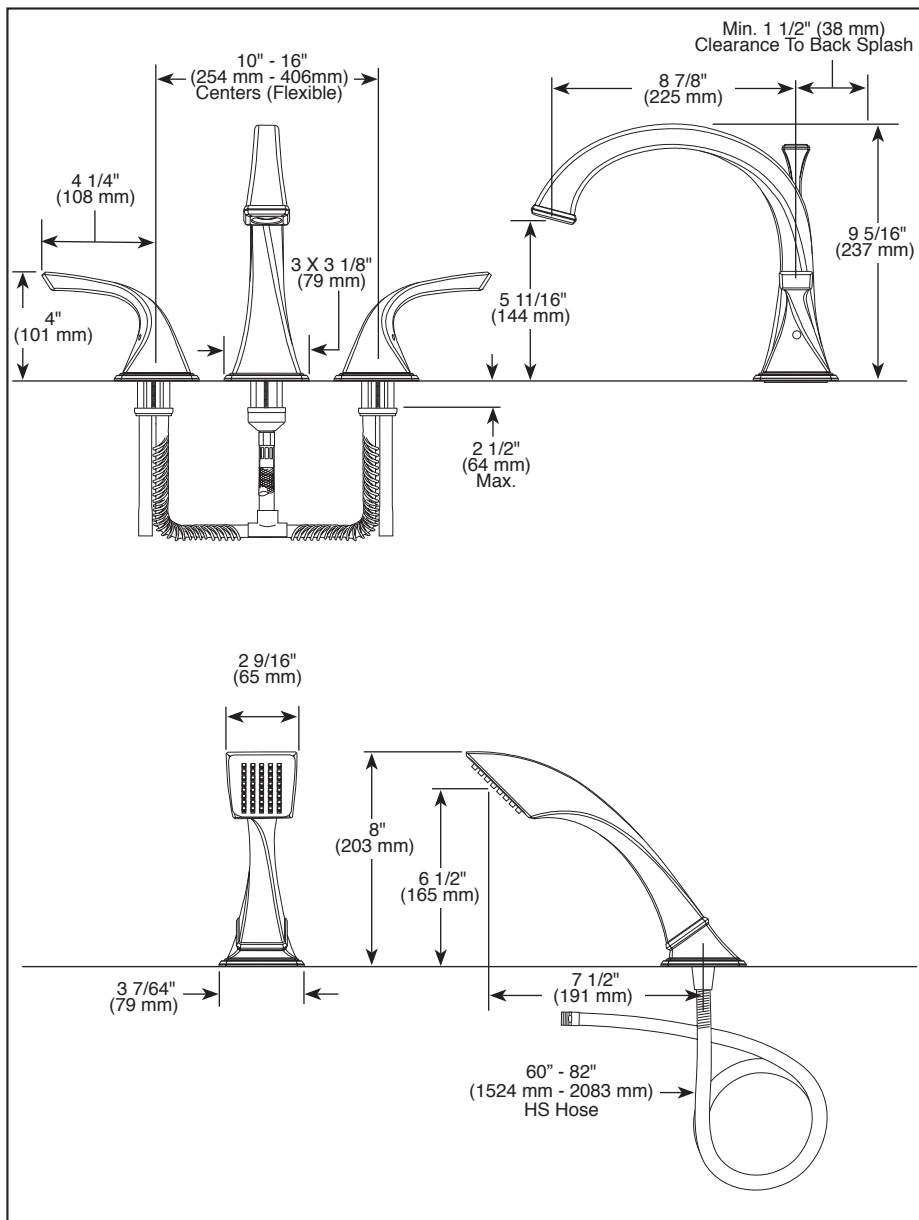
- Virage® Bath Collection
- Four Hole Installation

STANDARD SPECIFICATIONS:

- Hand shower max flow rate 1.75 gpm @ 80 psi, 6.6 L/min @ 550 kPa
- Four hole mount
- Valve mechanism shall be of the rotating cylinder type with 180° rotation
- Ceramic disc valving
- Adjustable rough-in for thick and thin deck installations
- Rough-In kit required to complete installation, sold separately (R64707). There are separate specification sheets available for each rough-in kit.
- Hand shower includes double check valves for backflow prevention
- 60" - 82" (1524 mm - 2083 mm) stretchable finished metal hose

WARRANTY

- Parts and Finish - Lifetime limited warranty; or for commercial purchasers, 10 years for multi-family residential (apartments and condominiums) and 5 years for all other commercial uses, in each case from the date the product is received by the original purchaser or their authorized representative (installation contractor, etc.).
- Please go to www.brizo.com for the complete details of our limited warranty.



▲ Designate proper finish suffix



COMPLIES WITH:

- ASME A112.18.1 / CSA B125.1
- EPA WaterSense®
- ICC/ANSI A117.1 - Valve control only